



TOYOTA

TOYOTA
8
SERIES

ENGINE POWERED FORKLIFT

8FG/8FD 1.0 to 3.5 ton

 **TOYOTA**

The Mastery of True Potential

Kiwameru [究], a Japanese word meaning “mastery”. Mastery of any undertaking can only be achieved if there is true potential and unwavering dedication to excellence. To Toyota, the 8 Series is the proud culmination of 50 years in the pursuit of mastery in the development and manufacture of forklifts.

All who experience the level of mastery in the 8 Series will be inspired to reach for higher goals.

The spacious operator’s compartment designed for clear visibility and comfort, combined with low noise operation, enhances operator performance.

Allow the mastery found in the 8 Series to develop the true potential of your workplace.



Speedometer

Multifunction Display OPT

Functions such as a digital speedometer, odometer and planned maintenance hour warning indicator are included in this display.

Travel and Load-Handling Control OPT

This includes idle-control to maintain lifting performance and one-button control to lower maximum speed. Powershift models also control speed based on load weight and height.



Ample Seat Adjustment

The operator’s seat can be adjusted forward and backward to accommodate most operator sizes. The amount of adjustment is 25% more than on the current model.

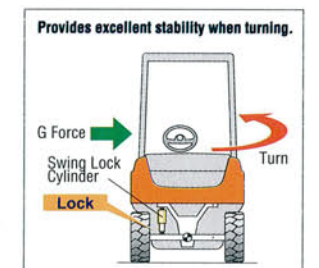


Operator Presence Sensing System (OPS)

The OPS system will terminate load-handling and powered travel functions if it senses that the operator is not in the proper operating position.

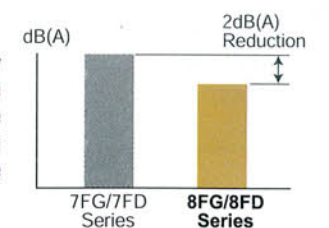
System of Active Stability (SAS) OPT

The Active Control Rear Stabilizer realizes forklift stability during turns. This system includes such functions as the Mast Function Controller and Steering Synchronizer.



Workplace-Friendly Design

Low-noise operation and environmentally friendly components help to create comfortable workplace. Operating noise has been lowered by 2 dB(A), improving conditions for the operator and those working near the forklift.



Clear Visibility

The operator will enjoy a clear view of the fork tips thanks to the well-considered design of the instrument panel and the overhead guard.

Operator-Friendly Steering Wheel

The small-diameter steering wheel helps easy operation.



Roomy Foot Space

Plenty of foot space enables easier entry and exit and makes the forklift more comfortable to operate.



Features and equipment may vary depending on market.



Foot-Activated Parking Brake

The operator simply depresses the parking brake pedal without changing operating position. The release lever is also in an easy-to-use location. (Powershift transmission models only.)



Serviceability

Extended engine hood opening provides easy access for inspections and servicing.

MAIN SPECIFICATIONS

Model		8FG10 8FD10	8FG15 8FD15	8FG18* 8FD18*	8FG20 8FD20	8FG25 8FD25	8FG30 8FD30	8FGJ35 8FDJ35
Engine Model		4Y 1DZ-II	4Y 1DZ-II	4Y 1DZ-II	4Y 1DZ-II, 2Z	4Y 1DZ-II, 2Z	4Y 1DZ-II, 2Z	4Y 2Z
Load Capacity	kg	1,000	1,500	1,750	2,000	2,500	3,000	3,500
Load Center	mm	500	500	500	500	500	500	500
Overall Width	A mm	1,045	1,070	1,070	1,150	1,150	1,240	1,290
Turning Radius(outside)	B mm	1,910	1,990	2,010	2,200	2,280	2,430	2,490
Overhead Guard Height	C mm	2,080	2,080	2,080	2,110	2,110	2,170	2,180
Length to Fork Face	D mm	2,245	2,290	2,315	2,560	2,635	2,795	2,865

NOTE: * Powershift transmission model only.

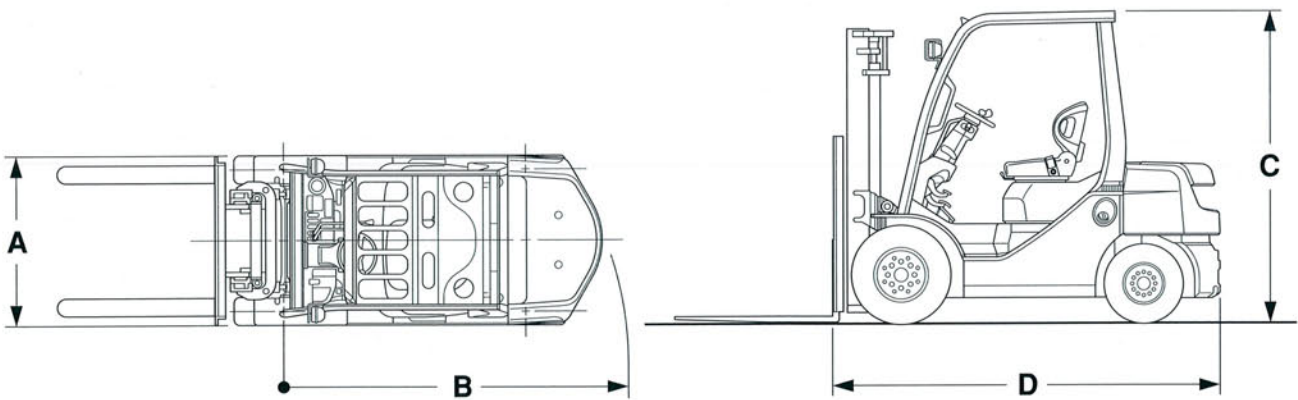
ENGINE SPECIFICATIONS

Model		TOYOTA 4Y Gasoline
Piston Displacement	cc	2,237
Rated Horsepower/r.p.m.	kW	40/2,400 (43/2,600)
Rated Torque/r.p.m.	N-m	161/1,800

NOTE: () for 30(32)-8FG30.8FGJ35

Model		TOYOTA 1DZ-II Diesel	TOYOTA 2Z Diesel
Piston Displacement	cc	2,486	3,469
Rated Horsepower/r.p.m.	kW	40/2,400 [44/2,600]	49/2,200
Rated Torque/r.p.m.	N-m	166/1,600	215/1,600

NOTE: [] for 60(62)-8FD20.25.30



The data in this brochure is determined based on our standard testing condition. The performance may vary depending on the actual specification and condition of the vehicle as well as the condition of the operating area. Availability and specifications depend on region and are subject to change without notice. Due to photography and printing, color of the actual vehicle may vary from this brochure.

This brochure is printed on recycled paper with soy ink. 