



The SPE200D is a high speed truck ideal for loading/unloading vehicles and in-vehicle handling, as well as for double stacking applications.



Technical Details		SPE200D
Operating type		pedestrian/stand on
Rated capacity	kg	1000+1000
Rated capacity, support arm lift	kg	2000
Load centre	mm	600
Max. axle load drive wheel, without/with rated load	kg	500/720
Max. axle load castor wheels, without/with rated load	kg	370/480
Max. axle load support arm wheels, without/with rated load	kg	300/2140
Travel speed, without/with rated load	km/h	10/8
Lift speed, without/with rated load	m/s	0.32/0.20 <sup>1)</sup>
Lowering speed, without/with rated load	m/s	0.35/0.56 <sup>1)</sup>
Gradient, without/with rated load	%	10/8
Service-/parking brake		1 stage electromagnetic brake
Drive motor/Intermittent rating (S2 60')	kW	2.2
Lift motor/ Intermittent rating (S3 11%)	kW	3
Steering system		steering arm
Speed control		transistor, stepless
Steering arc	°	180

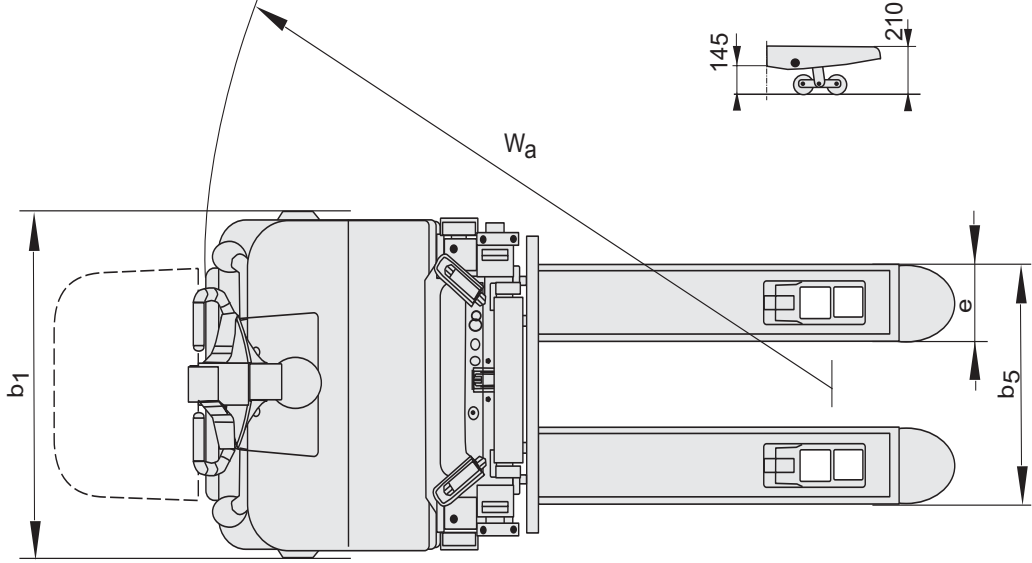
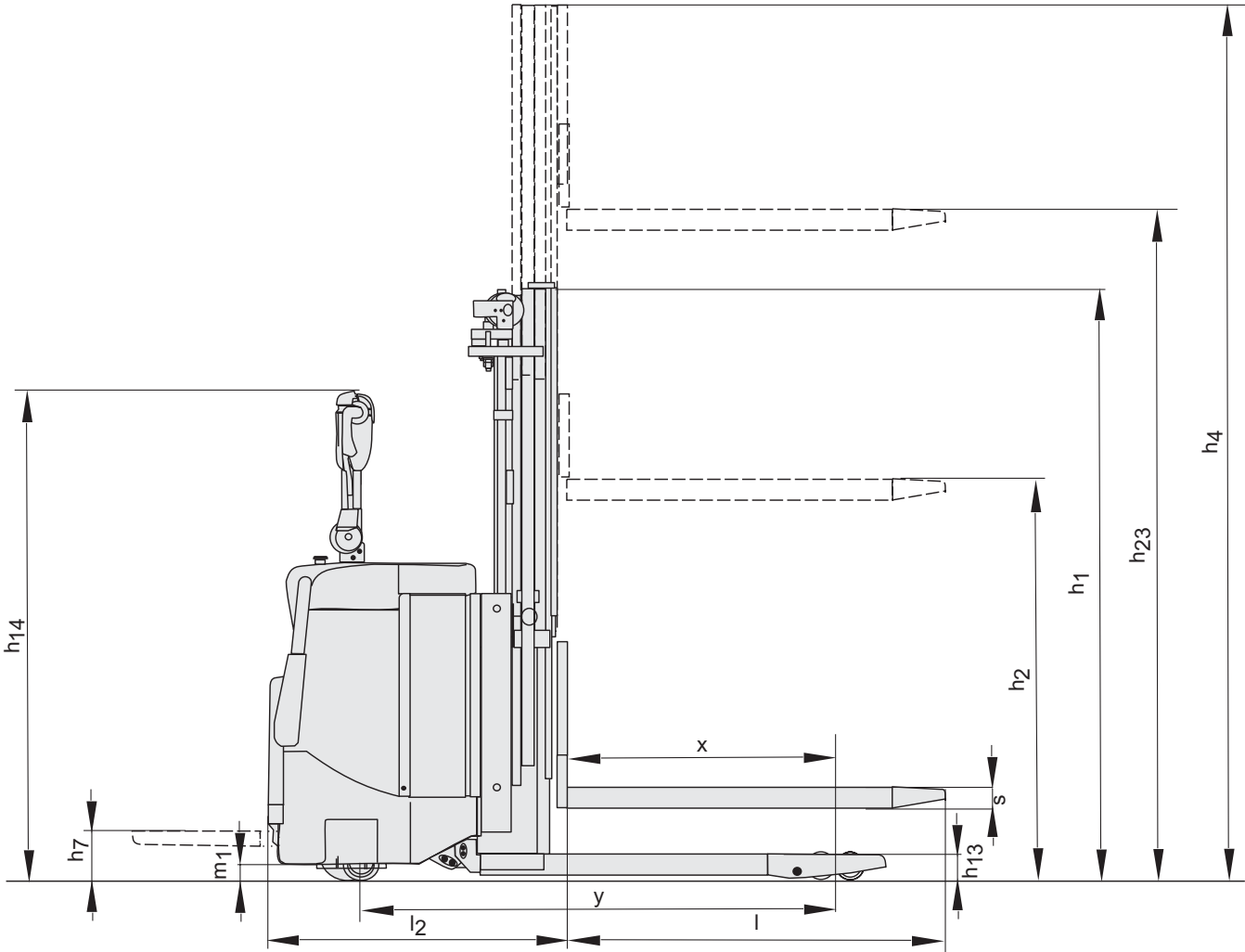
Dimensions, mm		SPE200D
x	Back of fork to bogie wheel centre, fork raised	870
y	Wheel base, fork raised/lowered	1520/1580
	Drive wheel movement up/down	15/30
	Drive wheel, Powerfriction <sup>2)</sup>	Ø 215
	Castor wheels, Vulkollan	Ø 125x50
	Support arm wheels, bogie, Vulkollan	Ø 85x75
h <sub>7</sub>	Platform height	150
l <sub>4</sub>	Platform length	400
h <sub>14</sub>	Height of handle in neutral pos.	1435
h <sub>13</sub>	Height of lowered fork	90
l <sub>2</sub>	Truck length incl. back of fork	900
b <sub>1</sub>	Chassis, width	790
s	Fork thickness	65
e	Fork width	180
l	Fork length	1200
b <sub>5</sub>	Width across fork	570
m <sub>1</sub>	Floor clearance	50
A <sub>st</sub>	Aisle width, platform up/down	2322/2724
W <sub>a</sub>	Turning radius, platform up/down	1792/2219

Mast, mm			Duplex Tele		Duplex Hi-Lo
<b>h<sub>23</sub></b>	<b>Total lift height</b>	<b>mm</b>	<b>1800</b>	<b>2000</b>	<b>2500</b>
h <sub>1</sub>	Height of mast, min. <sup>3)</sup>	mm	1440	1540	1790
h <sub>2</sub>	Free lift <sup>3)</sup>	mm	—	—	1240
h <sub>4</sub>	Height of mast, max.	mm	2470	2670	3170
	Weight without battery	kg	940	950	970
	Battery (5h discharge), min./max.	V/Ah	24/180—440		
	Battery weight, min./max.	kg	200/370		

- 1) Duplex Tele 2000 mm  
2) Other alternatives available  
3) +120 mm with raised support arms

Data is based on small size battery compartment.  
Large battery compartment = +98 mm and +30 kg.

Truck performance and dimensions are nominal and subject to tolerances.  
BT Products AB products and specifications are subject to change without notice.  
All data is based on VDI 2198.





- The closed design of the chassis make the truck ideal when used in vehicles and other confined areas.
- The mast with optimized cross beams offer maximum view over forks and load.
- The machines are ideal for double stacking. The SPE200D has a double stacking capacity of 1000 + 1000 kg. When used as a low lifter the support arm capacity is 2000 kg.
- The truck is equipped with Powertrak drive unit configuration — a BT patent. The drive wheel pressure is constantly adjusted due to the weight of the load. The result is optimal traction and minimum steering force.
- The comfortable steering arm, with its modern design, facilitates one hand operation. The lift, lowering and driving functions are ergonomically placed on the steering arm and can be operated by finger tip force.
- The Sensi-lift function offer precise and intuitive control of the lift and lowering speeds.

Truck features	SPE200D
BT Powerdrive System	S
Powertrak traction system	S
<b>Controls and instrument</b>	
Fingertip controls	S
Information display	S
Power/Electronic steering	O
Sensi-lift	S
Temporary speed reduction (turtle button)	O
Tiller arm steering	S
<b>Driving features</b>	
180° steering	S
Electronic braking system	S
Electronic speed control	S
Flip-down driver platform	S
<b>Safety features</b>	
BT Access Control	S
Clear-view mast	S
Folding sideguards	S
Programmable performance	S
<b>Maintenance features</b>	
Easy access for maintenance	S
Fault diagnosis facility	S
<b>Battery management features</b>	
Battery change facility	O
Battery status indicator	S
Heavy duty battery compartments	O
Sideways battery change	O
<b>Special applications</b>	
Coldstore version	O

S = Standard feature

O = Optional feature

-- = Not available

BT  
 SE-595 81 Mjölby Sweden  
 Tel: +46 (0)142 860 00  
 Fax: +46 (0) 142 866 00  
 Email: info@bt-forklifts.com  
 www.bt-forklifts.com

