

Opus

**OSE250
OSE250P**



The OSE250 is perfectly suited for intense picking in a tough industrial environment. With the main emphasis on driver productivity, the OSE250 is designed to simplify the entire order picking process. Higher pace and increased performance requirements in goods handling have set the standards for this truck. Cost efficiency together with safety are key words.



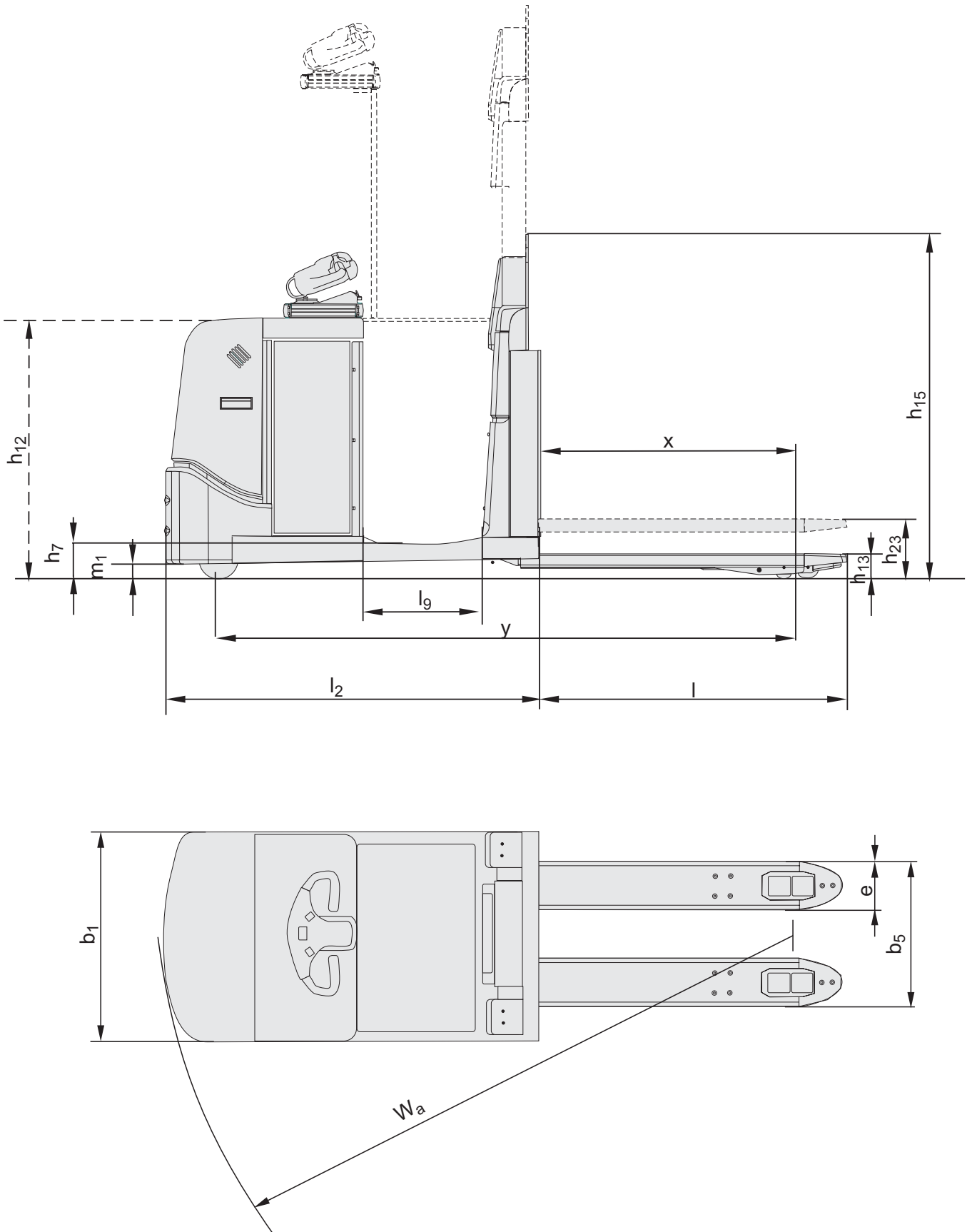
Technical Details		OSE250/OSE250P
Power unit		electr. battery
Operating type		stand on
Rated capacity	kg	2500
Load centre	mm	1200
Weight without battery, short chassis/long chassis	kg	765/897
Max. axle load castor wheels, without/with rated load		
short chassis	kg	270/670
long chassis		300/800
Max. axle load drive wheel, without/with rated load		
short chassis	kg	480/833
long chassis		500/894
Max. axle load fork wheels, without/with rated load,		
short chassis	kg	250/2223
long chassis		270/2243
Drive wheel, Vulkollan	mm	Ø 250x75
Fork wheels, bogie, Vulkollan	mm	Ø 85x75
Castor wheels, Vulkollan	mm	Ø 150x76
Travel speed, without/with rated load/2000kg	km/h	12/8/9 ¹⁾
Lifting time fork, without/with rated load	s	3,4/4,6
Lowering time fork, without/with rated load	s	5,2/4,7
Gradient, without/with rated load, short chassis	%	13/9
Gradient, without/with rated load, long chassis	%	13/10
Service-/parking brake		1 stage electromagnetic brake
Drive motor/Intermittent rating	kW/%	2,5/60
Lift motor/Intermittent rating	kW/%	1,2/4,5
Battery (5h discharge)	V/Ah	24/450-620
Battery weight, min./max.	kg	250/380
Steering system		electronic
Speed control		stepless
Steering arc	°	200

Dimensions, mm		OSE250/OSE250P
x	Back of fork to bogie wheel centre, fork raised/lowered	
	short chassis	861/957
	long chassis	1641/1737
y	Wheel base, fork raised/lowered	
	short chassis	2022/2159
	long chassis	2802/2932
h ₇	Instep height	130
h ₁₂	Stand height, elevated	980 ²⁾
h ₁₃	Height of lowered fork	85
h ₁₅	Height of back rest	1142 ³⁾
h ₂₃	Total lift height	225
l ₂	Truck length incl. back of fork, short/long chassis	1335/1420 ⁴⁾
b ₁	Chassis, width	790
s	Fork thickness	50
e	Fork width	180
l	Fork length	1000—2900
b ₅	Width across fork	450/520/550/570/685
m ₁	Floor clearance	55
W _a	Turning radius, short/long chassis	2196/3061
l _g	Platform length	450

- 1) OSE250P = 6 km/h with platform lifted above 500mm
- 2) Applies only to OSE250P. h₇ remains 130mm
- 3) OSE250P = 1300mm
- 4) Depending on battery compartment

Data is based on:
Short chassis, l = 1150mm
Long chassis, l = 2350mm

Working Aisle Widths, mm (short side handling)		Short chassis	Long chassis
Pallet size 800x1200 (l = 1150)	mm	2735	2820
Pallet size 800x1200, two pallets (l = 2350)	mm	3935	4020
Pallet size 1000x1200 (l = 1150)	mm	2735	2820
Pallet size 1000x1200, two pallets (l = 2350)	mm	3935	4020



Truck performance and dimensions are nominal and subject to tolerances.
 BT Products AB products and specifications are subject to change without notice.
 All data is based on VDI 2198.



- The new E-Man steering concept is ideally suitable for picking activities. Light, one hand operation increases the flexibility for the driver and at the same time simplifies driving in the fork direction.
- The new steering handle can easily be adjusted sideways. This optional feature is excellent when the driver wants to operate the truck while walking along it. Its flexible solution will also help the operator in difficult manoeuvring situations.
- The performance of the OSE250 is first-rate. A travel speed of 12km/h together with high acceleration increases the number of pick-ups. With our motor technology it is very easy to adjust top speed, acceleration and speed reduction to meet with individual requirements.
- Higher demands for productivity means sometimes more volume in each picking cycle. The capacity of the truck is 2500kg which easily facilitates picking in 4 roll containers or 2 pallets.
- The BT Powerdrive system provides reliability and simplicity. Can-bus technology means fewer parts and reliable transmission of data. A Pin code start up procedure offers higher operational safety by stopping unauthorised driving.

Truck features	OSE250	OSE250P
BT Powerdrive System	S	S
Elevating platform	—	S
High performance models	S	S
Controls and instrument		
Adjustable BT Control console	O	O
Exterior lift/lower buttons	O	O
Fingertip controls	S	S
Information display	S	S
Power/Electronic steering	S	S
Driving features		
200° steering	S	S
Automatic deceleration	S	S
Electronic regenerative brakes	S	S
Safety features		
BT Access Control	S	S
Driver detection system	S	S
Programmable performance	S	S
Drivers compartment features		
Elevating picking shelf	—	O
Folding seat	O	—
Low step-in	S	S
On-board data terminal mount	O	O
Storage compartments	O	O
Writing table	O	O
Maintenance features		
Easy access for maintenance	S	S
Fault diagnosis facility	S	S
Battery management features		
Battery change facility	O	O
Battery status indicator	S	S

S = Standard feature

O = Optional feature

— = Not available



The product complies with the EC-directives



SS-EN ISO 9001, No. 003
 ISO 14001, No. M005

