

OME100M

OME100



The OME-series offers a complete range of pickers which suits a variety of operations in food distribution as well as other industries such as the distribution of household appliances, automotive parts, pharmaceuticals, electronics etc.



Technical Details		OME100M	OME100
Power unit		electrical, battery	
Operating type		stand on	
Rated capacity	kg	850/1000	850/1000
Load centre	mm	600/500	600/500
Weight without battery	kg	1625 ¹⁾	1365
Wheel type, fork side/drive wheel side		polyurethane	
Wheel dimension, fork side	mm	Ø 230 x 85	Ø 230 x 85
Wheel dimension, drive wheel side	mm	Ø 250 x 75	Ø 250 x 75
Number of wheels, fork side/drive wheel side		2/1	2/1
Travel speed, without/with rated load	km/h	9/9	9/9
Service brake, hand operated		2 stage electromagnetic brake	
Parking brake, (dead man's grip)		2 stage electromagnetic brake	
Lift speed, without/with rated load	m/s	0,25/0,20	0,25/0,20
Lowering speed, without/with rated load	m/s	0,37/0,40	0,37/0,40
Drive motor/Intermittent rating	kW/%	1,8/60	1,8/60
Lift motor/Intermittent rating	kW/%	5,0/20	5,0/20
Battery weight	kg	360—500	360—500
Battery (5h discharge)	V/Ah	24/480—600	24/480—600
Steering system		electronic power steering	
Speed control, number of steps		transistor, stepless	

1) $h_{12} = 4200\text{mm}$, $b_1 = 970\text{mm}$

Dimensions, mm		OME100M	OME100
x	Front axle to fork back	225 ²⁾	225 ²⁾
y	Wheel base	1441	1441
h_7	Instep height	300	300
b_{10}	Track width fork side c/c	850	850
z_{11}	Width between rails, min	$b_1 + 200/230$ ¹⁾	$b_1 + 200/230$ ¹⁾
h_{13}	Height of lowered fork	80	80
l_2	Truck length incl. back of fork	1870 ²⁾	1870 ²⁾
l_{20}	Cab length, floor	700	700
l_{24}	Entrance width	425	590
b_1	Chassis, width	970	970
b_2	Cab width	1000/1200/1400	970/1200/1400
s	Fork thickness	62	62
e	Fork width	115	115
l	Fork length	800/900/1000/1100/ 1150 ⁵⁾	800/900/1000/1100/ 1150 ⁵⁾
b_5	Width across fork ⁴⁾	560/685/776	560/685/776
m_2	Floor clearance mid wheelbase	60 ³⁾	60 ³⁾
W_a	Turning radius	1660	1660
h_6	Height of cab	2390	1450
h_{21}	Height of cab inside	2030	—
h_{22}	Height of cab sides	900	900

1) Depending on type of rails

(low profile rails: +200mm, high profile: +230mm)

2) With adjustable fork add 38 mm to l_2 and x

3) 25 mm if wire guided

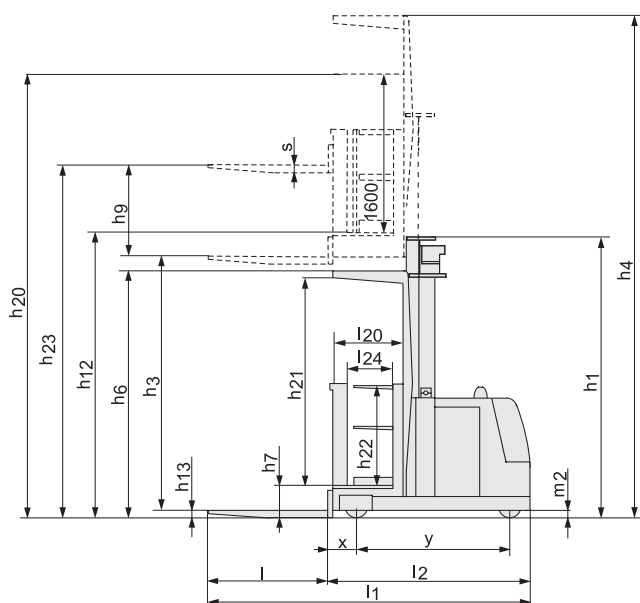
4) Fixed forks only

5) Fixed forks longer than 1150 mm. 1200-1600 mm (in 100 mm steps)

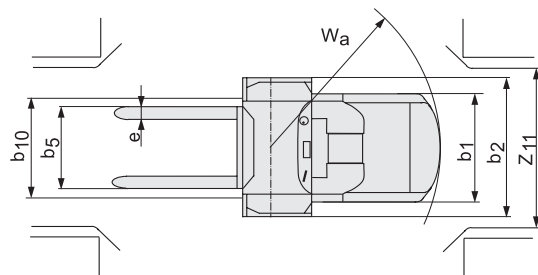
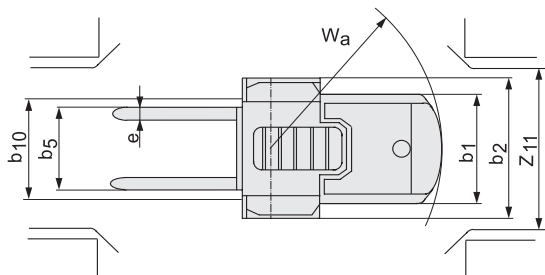
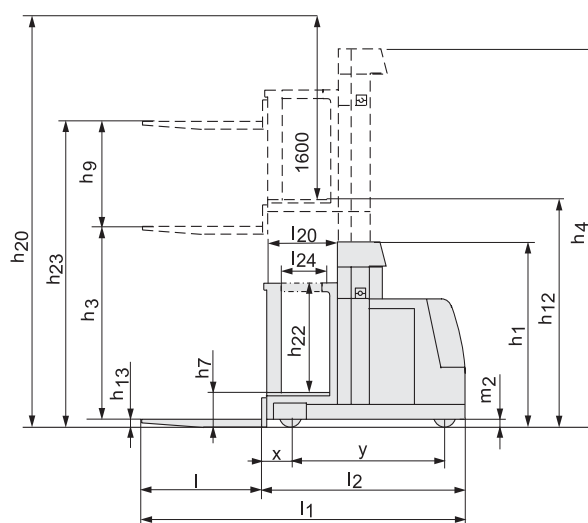
Mast, mm		OME100M					OME100
h₁₂	Platform height	2000	2950	3600	4200	4700	1750
h ₁	Height of truck, min.	2400	2400	2400	2650	2900	1460
h ₃	Lift movement	1700	2650	3300	3900	4400	1450
h ₄	Height of truck, max.	4150	5080	5760	6350	6850	2940
h ₉	Auxiliary lift movement	780	780	780	780	780	780
h ₂₀	Picking height	3600	4550	5200	5800	6300	3350
h ₂₃	Total lift height ¹⁾	2560	3510	4160	4760	5260	2310

1) $h_{23} = h_3 + h_9 + h_{13}$

OME100M



OME100





- Optipace allows maximum acceleration rate and travel speed at all heights. The system continuously monitors the position of the truck and cab height and at all times optimizes speed and acceleration accordingly.
- Spacious cab with short distance between the cab and the load carrier, minimizing risk of repetitive strain and maximizing productivity. The electronic controls, instruments and back rest can be switched from the front to the rear of the cab in less than a minute.
- Display showing lift height, clock, battery status, drive wheel position, warnings and error codes etc.
- Stable gates with folding threshold together with a flat floor allows comfortable and safe picking throughout the shift.
- The compact size of the truck in combination with the advanced BT electronic steering and fingertip touch controls, facilitates fine positioning and confident driving in or outside of the aisle.

Truck features	OME100M	OME100
Elevating platform	S	S
Adjustable fork widths	S	S
Choice of cab widths	S	S
Wire/rail guidance	O	O
Controls and instruments		
Adjustable BT Control console	S	S
Information display	S	S
Height indicator	S	S
Hour meter	S	S
Driving features		
Electronic braking system	S	S
Electronic speed control	S	S
Power/Electronic steering	S	S
Safety features		
Automatic parking brake	S	S
BT Optipace system	S	S
Clear-view mast	S	S
Driver detection system	S	S
Emergency cut-off	S	S
Lift height limitation with override	O	—
Warning beacon	S	—
Drivers compartment features		
Adjustable backrest	S	S
Storage compartments	S	S
Maintenance features		
Fault diagnosis facility	S	S
History fault log	S	S
Battery management features		
Battery status indicator	S	S
Side-ways battery change	S	S

S = Standard feature

O = Optional feature

— = Not available