



Freflex FRE270 is a 4-way reach truck which provides the combined benefits of advanced design and AC power for applications which require long-load handling, as well as the ability to handle conventional pallets in confined situations.

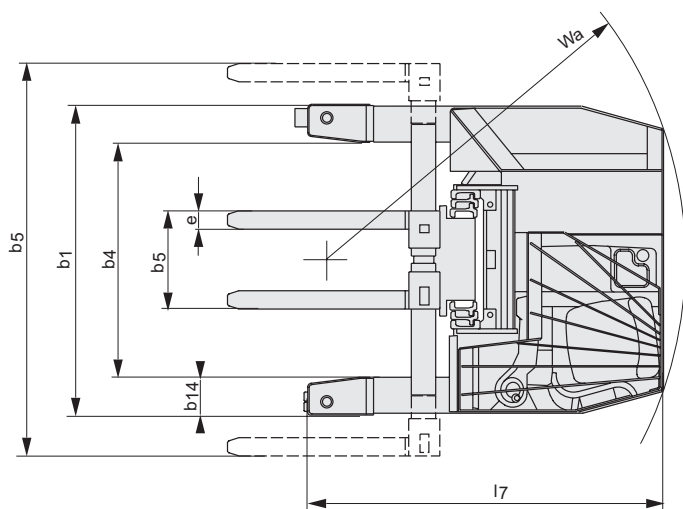
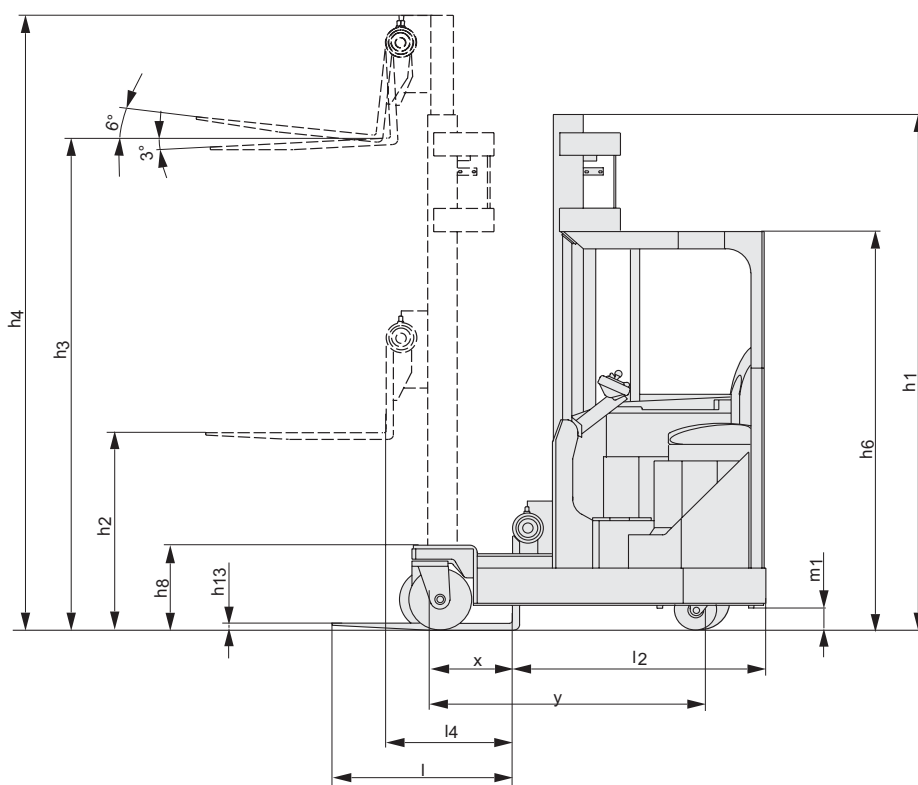


| Technical Details | | FRE270, a | FRE270, b |
|--|-------|---------------------------|-----------|
| Power unit | | electrical, battery | |
| Rated capacity/load centre | kg/mm | 2700/400 | 2700/400 |
| | | 2500/500 | 2700/500 |
| | | 2250/600 | 2700/600 |
| Fork positioning | | hydraulic | |
| Weight without battery, (h ₃ =6300 mm) | | 3370 | 3370 |
| Max. axle pressure fork wheel side, without/with rated load | kg | 1315/4335 | 1315/4335 |
| Max. axle pressure drive wheel side, without/with rated load | kg | 3490/3220 | 3490/3220 |
| Wheel type | | polyurethane | |
| dimension, support arm wheels | mm | Ø 350 | Ø 350 |
| dimension, drive wheel | mm | Ø 350 | Ø 350 |
| dimension, castor wheels | mm | Ø 230 | Ø 230 |
| Travel speed, without/with rated load | m/s | 2.2/2.2 | 2.2/2.2 |
| Service brake | | electrical | |
| Parking brake | | autom. electr. magnetic | |
| Lift speed, without/with rated load | m/s | 0.44/0.25 | 0.44/0.25 |
| Lowering speed, without/with rated load | m/s | 0.38/0.33 | 0.38/0.33 |
| Gradient, without/with rated load | % | 12/7 | 12/7 |
| Drive motor/Intermittent rating | kW/% | 7.5/60 | 7.5/60 |
| Lift motor/Intermittent rating | kW/% | 14/15 | 14/15 |
| Battery weight | kg | 1150 | 1150 |
| Battery (5h discharge) | V/Ah | 48/750 | 48/750 |
| Steering system | | electronic power steering | |
| Speed control | | transistor, stepless | |

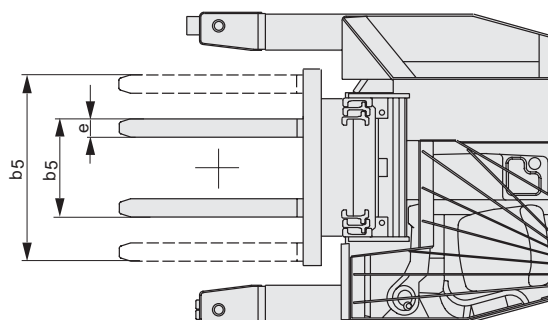
| Dimensions, mm | | FRE270, a | FRE270, b |
|-----------------|---------------------------------|---------------|---------------|
| x | Front axle to fork front face | 450 | 450 |
| y | Wheel base | 1514 | 1514 |
| h ₈ | Height of support arm | 480 | 480 |
| h ₁₃ | Height of lowered fork | 45 | 45 |
| l ₂ | Truck length incl. back of fork | 1460 | 1460 |
| b ₁ | Chassis, width | 1710 | 1710 |
| e | Fork width | 100 | 125 |
| l | Fork length | 700/1000/1150 | 700/1000/1150 |
| b ₅ | Width across fork, min./max. | 540/2160 | 400/960 |
| b ₄ | Width between support arms | 1295 | 1295 |
| b ₁₄ | Width of support arm | 205 | 205 |
| l ₄ | Reach movement | 700 | 700 |
| m ₁ | Floor clearance | 115 | 115 |
| W _a | Turning radius | 1988 | 1988 |
| l ₇ | Truck length excl. fork | 1960 | 1960 |
| h ₆ | Height of cab | 2260 | 2260 |

Performance may vary due to motor and system efficiency tolerance and represents nominal values obtained under typical operating conditions.
BT Products AB products and specifications are subject to change without notice.
Datas are based on VDI 2198.

| Mast, mm | | FRE270 | | | | | | | | | |
|----------------------|----------------------|-------------|-------------|-------------|-------------|-------------|-------------|-------------|-------------|-------------|-------------|
| h₃ | Lift height | 4150 | 4500 | 4800 | 5400 | 5700 | 6300 | 6700 | 7000 | 7500 | 8000 |
| Duplex Hi-Lo | | | | | | | | | | | |
| h ₁ | Height of mast, min. | 2920 | 3100 | | | | | | | | |
| h ₂ | Free lift | 2050 | 2230 | | | | | | | | |
| h ₄ | Height of mast, max. | 4980 | 5330 | | | | | | | | |
| Triplex Hi-Lo | | | | | | | | | | | |
| h ₁ | Height of mast, min. | | | 2450 | 2650 | 2750 | 2950 | 3180 | 3280 | 3550 | 3710 |
| h ₂ | Free lift | | | 1587 | 1787 | 1887 | 2087 | 2320 | 2420 | 2687 | 2853 |
| h ₄ | Height of mast, max. | | | 5620 | 6220 | 6520 | 7120 | 7520 | 7820 | 8330 | 8820 |



a Wide fork spread across support arms



b Thin fork spread between support arms



- The direction of the truck is determined by rotation of the turnable support arm wheel, which enables the truck to travel forwards, backwards or sideways — which means that it can operate as a side loader.
- Three push-buttons located on the dashboard allow easy selection of performance parameters. Standard set-up choices available.
- Two different hydraulic fork spreaders are available. Wide fork spread across the support arms, range 540 — 2160 mm. Thin fork spread between the support arms, range 400 — 960 mm.
- Drive and castor wheels are built on a cross-mounted bogie to allow traction on uneven floors.
- The braking system is electronic, progressive and regenerates energy to the battery. It can also be programmed to suit driver preferences.

| Truck features | FRE270 | |
|-------------------------------------|-------------|-------------|
| | Wide spread | Thin spread |
| Fork spreader | S | S |
| Tilting forks | S | S |
| Controls and instruments | | |
| Fingertip controls | S | S |
| Information display | S | S |
| Power/Electronic steering | S | S |
| Sideshift | — | S |
| Steering direction indicator | S | S |
| Driving features | | |
| Front seated driver position | S | S |
| 360° steering | S | S |
| Creep speed function | S | S |
| Electronic braking system | S | S |
| Safety features | | |
| Automatic parking brake | S | S |
| Clear view mast | S | S |
| Electronic support arm brake | S | S |
| Programmable performance | S | S |
| Drivers compartment features | | |
| Adjustable seat | S | S |
| Adjustable steering wheel | S | S |
| Low step-in | S | S |
| Maintenance features | | |
| Easy access for maintenance | S | S |
| Fault diagnosis facility | S | S |
| History fault log | S | S |
| Battery management features | | |
| Battery status indicator | S | S |
| Horizontal battery change | S | S |

S = Standard feature

O = Optional feature

— = Not available